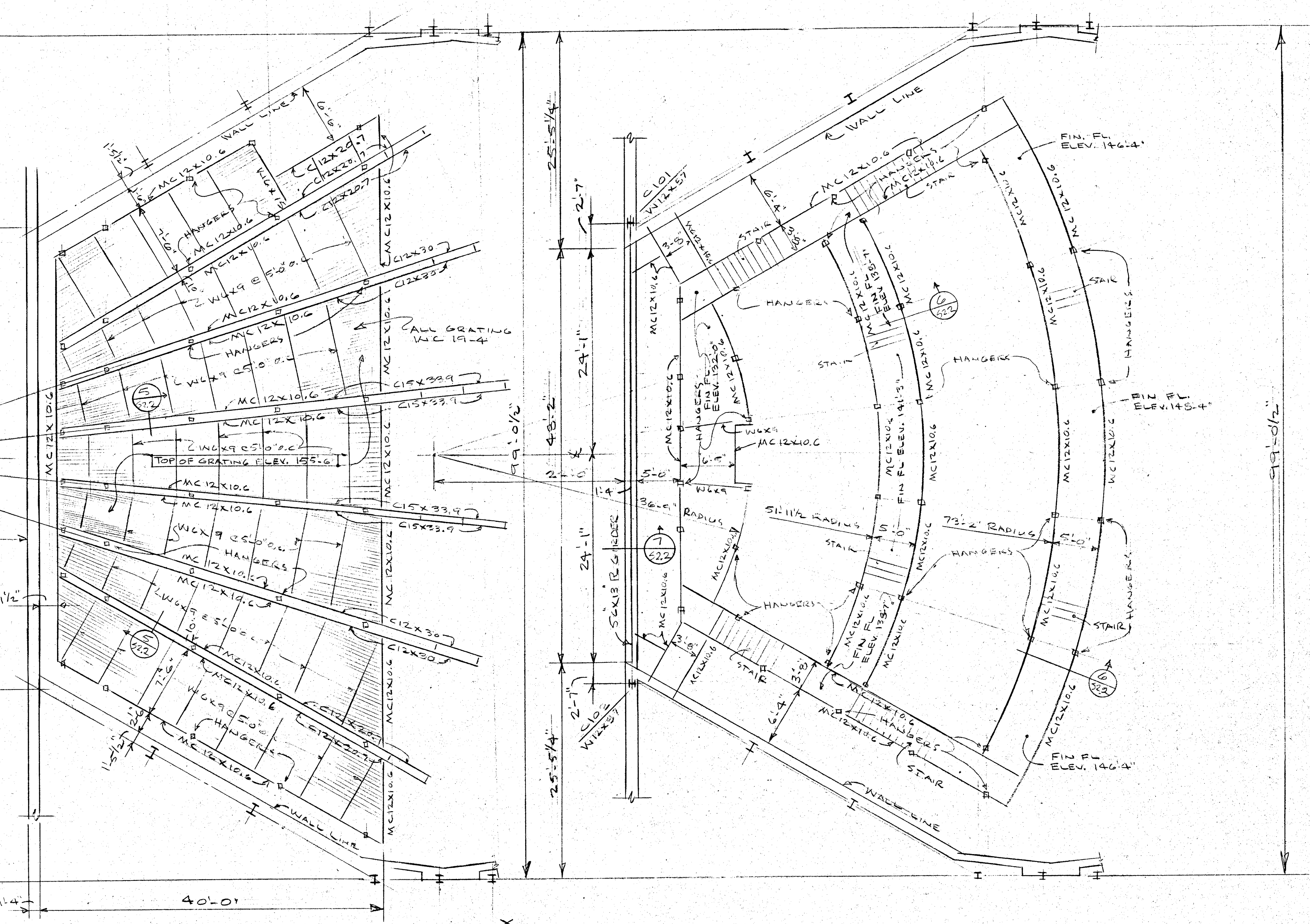


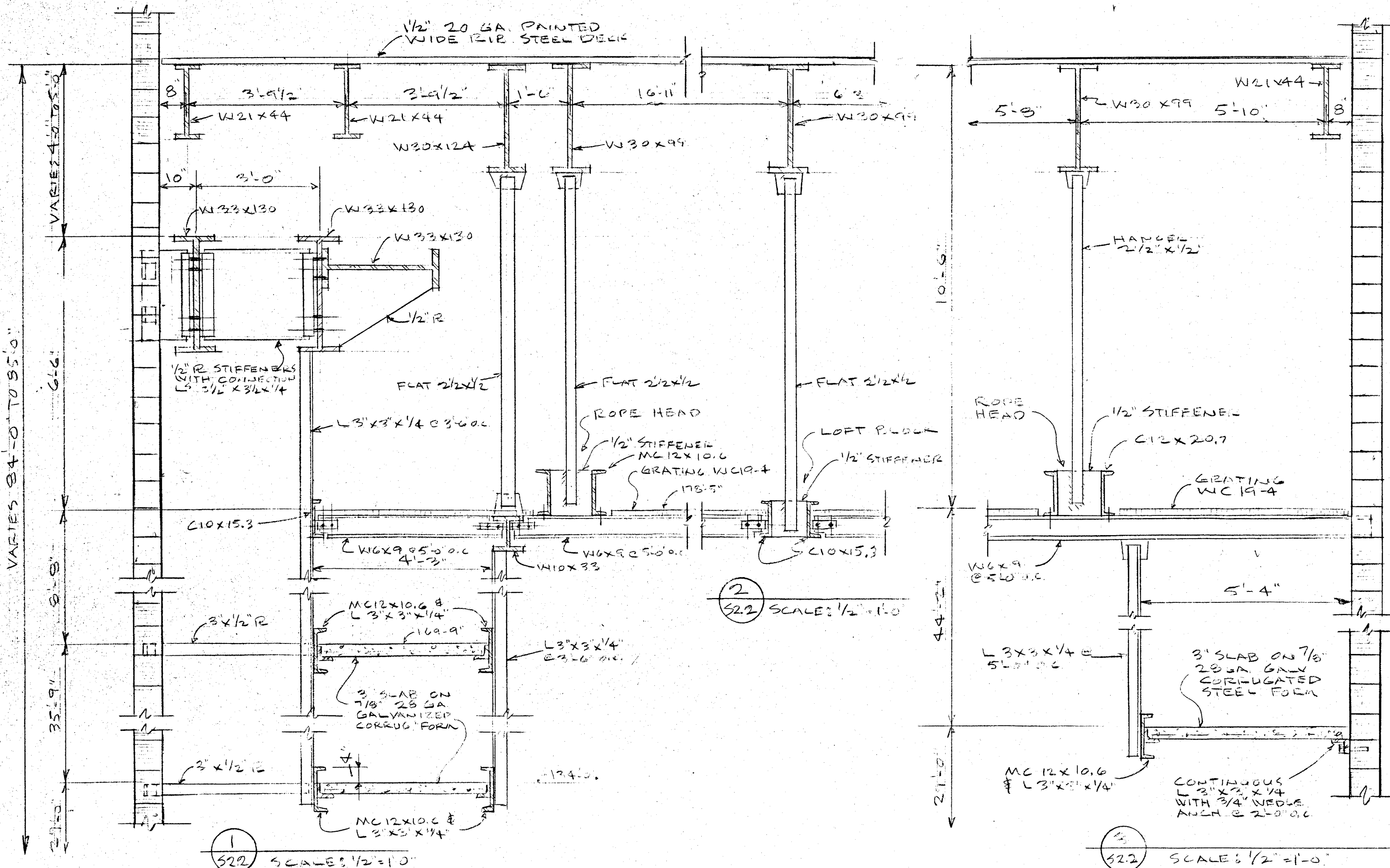
STAGE LOFT FRAMING PLAN  
SCALE: 1/8" = 1'-0"

FRONT-OF-HOUSE CONCRETE DECK FRAMING  
SCALE: 1/8" = 1'-0"



FRONT-OF-HOUSE CONCRETE DECK FRAMING  
SCALE: 1/8" = 1'-0"

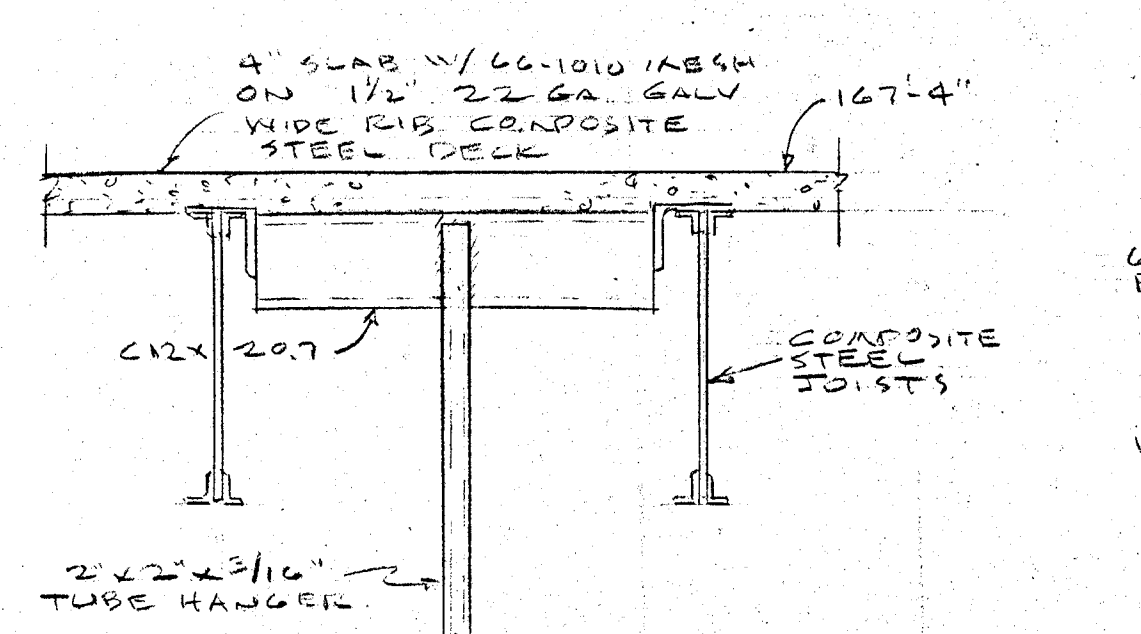
CATWALK FRAMING PLAN  
SCALE: 1/8" = 1'-0"



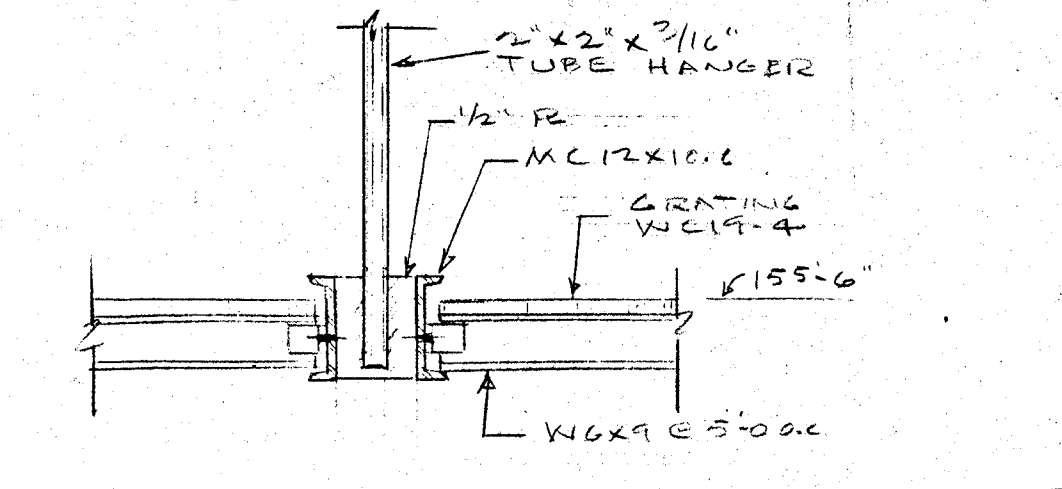
1 SCALE: 1/2" = 1'-0"

2 SCALE: 1/2" = 1'-0"

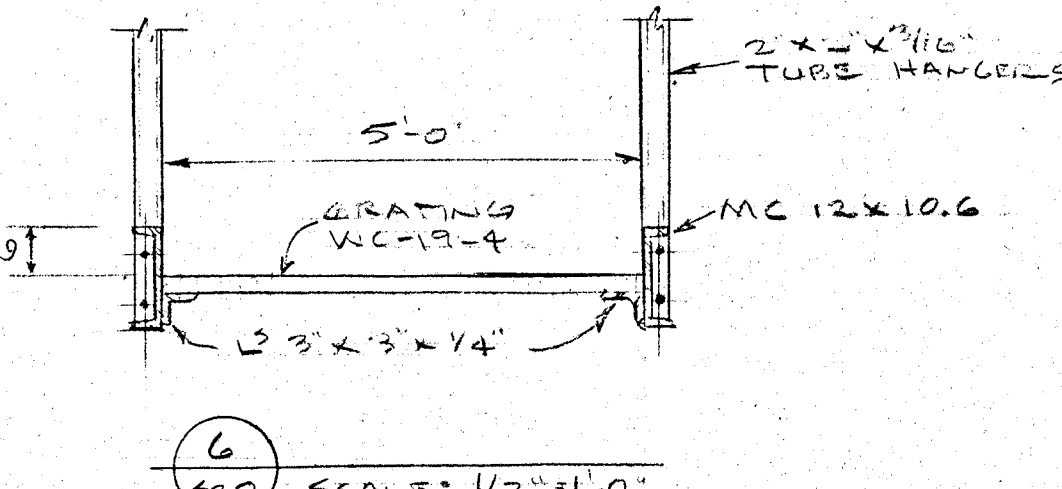
3 SCALE: 1/2" = 1'-0"



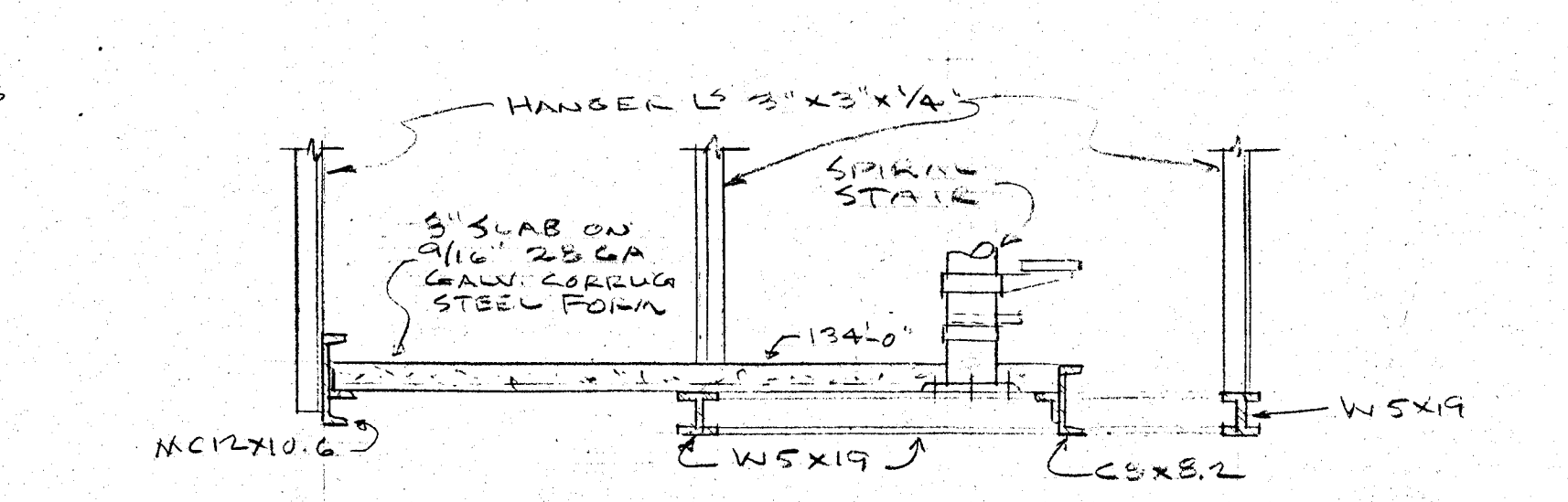
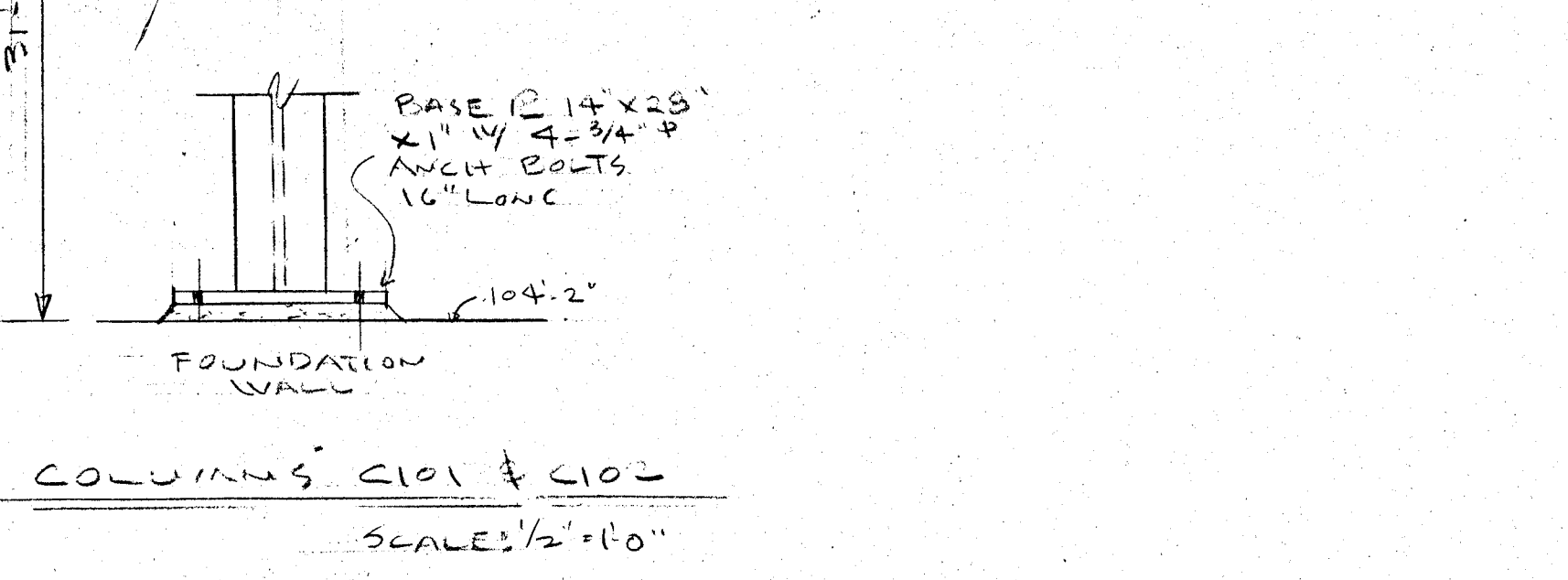
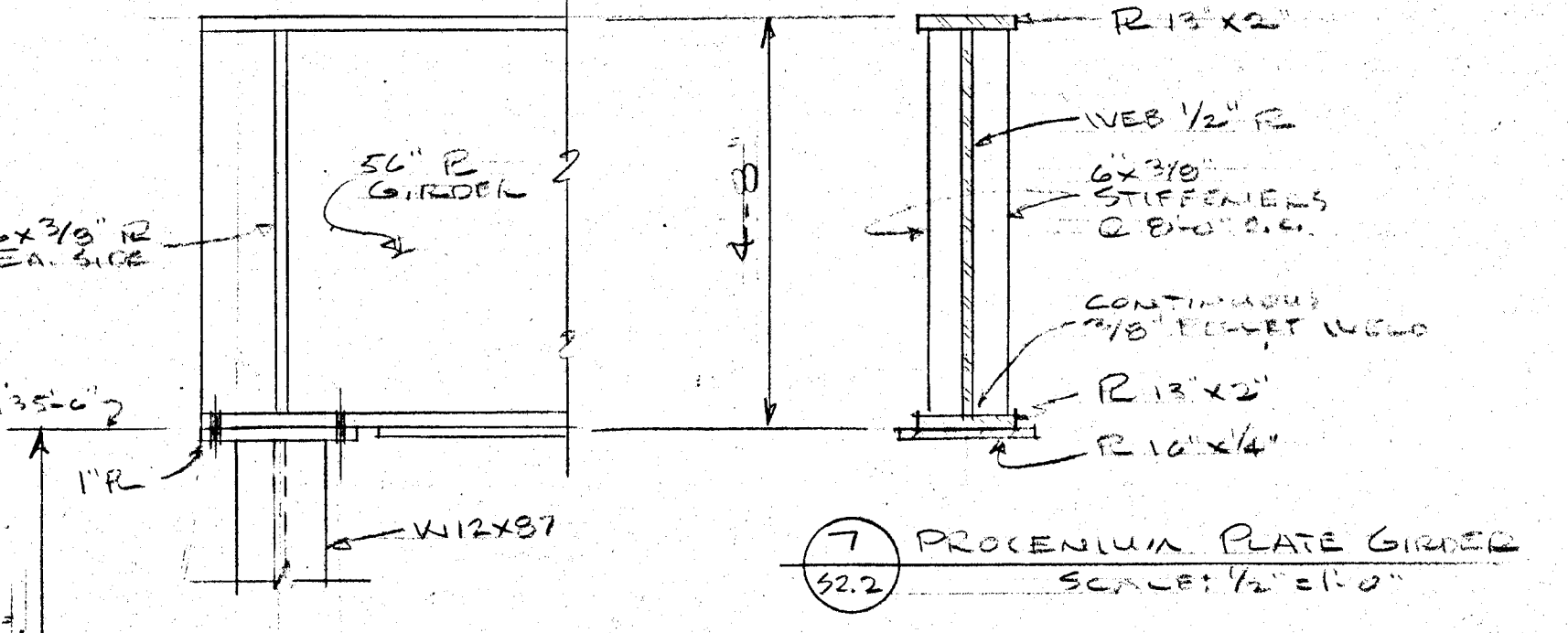
4 SCALE: 1/2" = 1'-0"



5 SCALE: 1/2" = 1'-0"



6 SCALE: 1/2" = 1'-0"



7 SPIRAL STAIR SUPPORT  
SCALE: 1/2" = 1'-0"

**WASHINGTON PAVILION OF ARTS AND SCIENCE**

**KOCH HAZARD BALTZER LTD**  
Architecture • Planning • Interiors

431 NORTH PHILLIPS AVENUE, SUITE 200  
SIOUX FALLS, SOUTH DAKOTA 57102-0180  
PHONE (605) 338-3718 FAX (605) 336-0438

|   |             |               |             |
|---|-------------|---------------|-------------|
| DRAWN BY<br>BRB   | APPROVED BY | DATE          | PROJECT NO. |
|   | REVISIONS   | 1/31/96       | 9334        |
| SHEET TITLE<br>STAGE LOFT AND CATWALK FRAMING PLANS                             |             | DRAWING NO.   | S2.2        |
| PROJECT<br>WASHINGTON PAVILION OF ARTS AND SCIENCE<br>SIOUX FALLS, SOUTH DAKOTA |             | CADD REF. NO. |             |

REGISTERED PROFESSIONAL ENGINEER  
REG. NO. 999  
BILLY A. BECK  
SOUTH DAKOTA

CONSTRUCTION DOCUMENTS