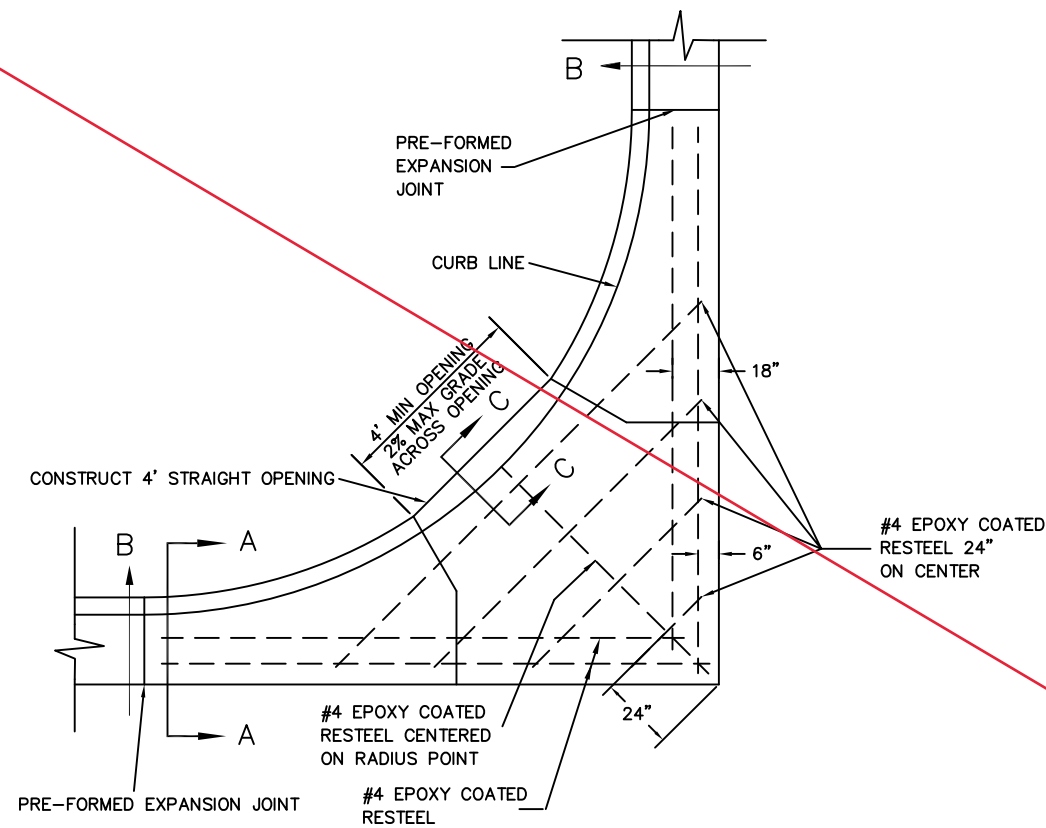
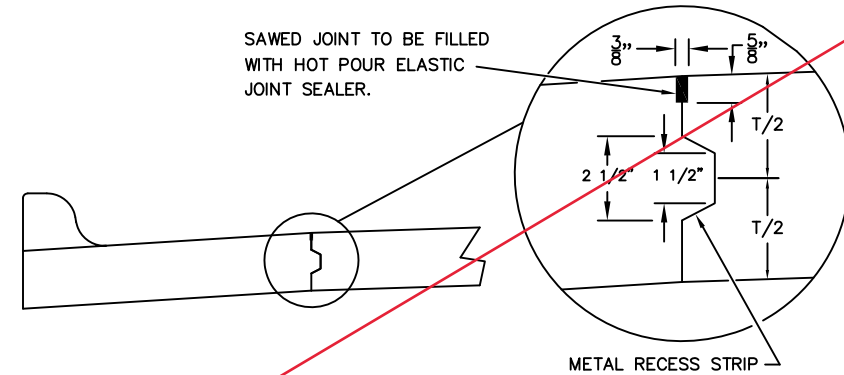


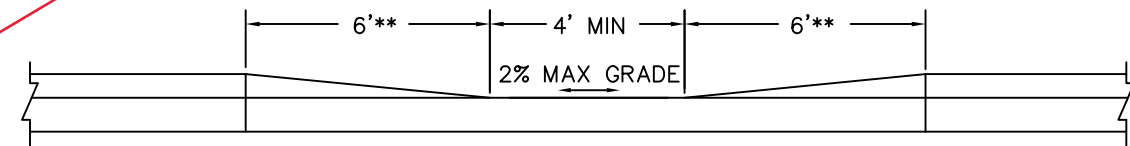
This plate will be replaced with plate 650.04



PLAN VIEW



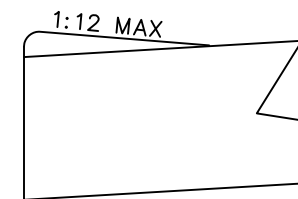
SECTION A-A



*** FOR BACK OF CURB SIDEWALK, THE TAPER LENGTH SHALL BE EXTENDED AS SHOWN IN THE TABLE BELOW TO KEEP SIDEWALK WITHIN THE REQUIREMENT FOR MAXIMUM RUNNING SLOPE. THE TAPER WILL BE LIMITED TO 15' IN LENGTH.

STREET GRADE	TAPER LENGTH 1:12 MAX	
	LOW SIDE	HIGH SIDE
1%	6'-0"	7'-2"
2%	6'-0"	8'-4"
3%	6'-0"	10'-0"
4%	6'-0"	12'-6"
5% +	6'-0"	15'-0"

SECTION B-B



SECTION C-C

GENERAL NOTES

ALL REINFORCING STEEL SHALL HAVE 1-1/2" CLEARANCE AND SHALL CONFORM TO A.S.T.M. A615, GRADE 40.

M-6 CONCRETE SHALL BE USED IN THE CONSTRUCTION OF THE FILLETS.

THE CURB SHALL BE MONOLITHIC WITH THE FILLET. NO SEPARATE PAYMENT WILL BE MADE FOR THE CURB AS IT WILL BE CONSIDERED PART OF THE FILLET.

FILLET THICKNESS SHALL BE EQUAL TO THE DEPTH OF ADJOINING PAVEMENT BUT NOT LESS THAN 6".

FILLETS ADJACENT TO PCC PAVEMENT SHALL HAVE A KEYWAY CONSTRUCTION JOINT WITHOUT TIE BAR.

FILLETS SHALL BE MEASURED AND PAID FOR AT THE CONTRACT UNIT PRICE PER SQUARE YARD OF FILLET SECTION. PAYMENT INCLUDES ALL LABOR AND MATERIALS NECESSARY TO COMPLETE THE WORK.

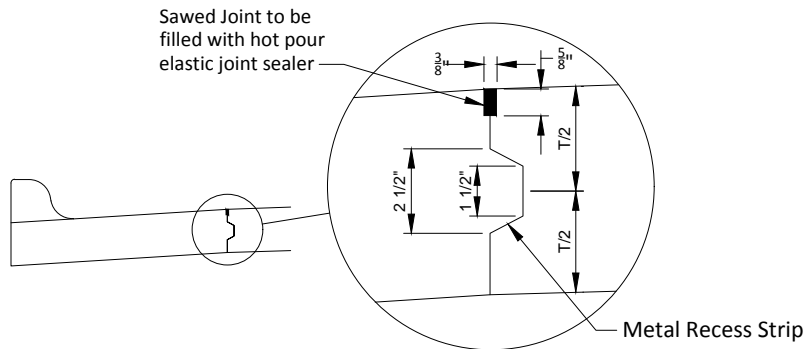
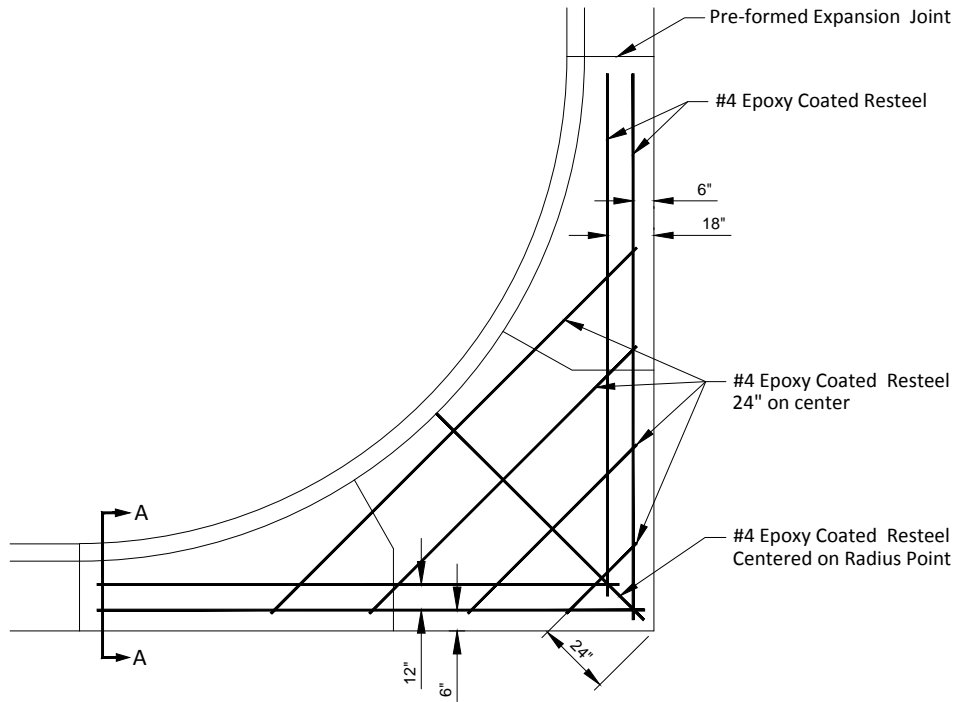
REVISED: NOVEMBER 2013



CITY OF SIOUX FALLS
ENGINEERING DIVISION
CONCRETE FILLET SECTION
AND CURB OPENING

SPECIFICATION
REFERENCE
NO.
650

PLATE
NUMBER
650.04



SECTION A-A

GENERAL NOTES

1. All reinforcing steel shall have 1-1/2" clearance and shall conform to ASTM a615, grade 40.
2. M-6 concrete shall be used in the construction of the fillets.
3. The curb shall be monolithic with the fillet. No separate payment will be made for the curb as it will be considered part of the fillet.
4. Fillet thickness shall be equal to the depth of adjoining pavement but not less than 6".
5. Fillets adjacent to PCC pavement shall have a keyway construction joint without tie bar.
6. Fillets shall be measured and paid for at the contract unit price per square yard of fillet section. Payment includes all labor and materials necessary to complete the work.
7. The plans will call out the curb opening locations, taper lengths and slopes to meet ADA accessibility. If not, contact the City Engineer's office to provide this information.

ISSUED: OCTOBER 2016

SPECIFICATION
REFERENCE
NO. 650



CITY OF SIOUX FALLS
ENGINEERING DIVISION
CONCRETE FILLET

PLATE
NUMBER
650.04